



Shown with optional stainless steel casters and BEL 252 fully automatic case taper.

The BEL 505 is easily connected to any BEL case sealer.

Semi-Automatic Case Erector and Pack Station

The **BEL 505** is an extremely compact Semi-Automatic Case Erector And Pack Station designed specifically for applications on manual case packing lines. When connected to any **BEL** case sealer it enables one person to form, pack and seal corrugated cases in a single operation.

Installing the **BEL 505** in manual case packing lines improves productivity and

eliminates extra labor needed to set-up and close case bottom flaps prior to loading. Safety is improved by eliminating costly Repetitive Strain Injury problems.

At a fraction of the cost of fully automatic case erectors, the **BEL 505** provides an economical and effective way of eliminating manual labor required to pre-form cases for hand packing lines.

Semi-Automatic Case Erector and Pack Station BEL 505 Standard Model

To operate, the packer inserts an opened case into the **BEL 505**. The machine instantly folds the bottom flaps and holds the case in place for efficient "two hand" packing. When fully loaded, the operator easily pushes the case into the case sealer for gluing/taping/stapling of top and bottom flaps.

Case size changes are easily accomplished by the packer in less than one minute using two simple adjustments with case size reference scales. Machine frame adjusts with box width improving ergonomics so the package is within close reach at all times.

The **BEL 505** is user-friendly and extremely simple to operate using the following sequence:

1. Open flat case blank and place in machine.
2. Load product in box.
3. Push loaded box away into case sealer.



1. Open Case Blank



2. Load Box



3. Push Loaded Box Out

Standard Features

- Erects cases without using center line dead plate.
- Erected cases are positioned on roller deck for easy transfer to case sealer.
- Three point switch actuation protects against accidental starting.
- Simple one minute case size change-over, no tools necessary.
- Dynamic flap folding system power folds all bottom flaps.
- Pneumatic major flap "pre-openers" keep bottom flaps aligned for trouble free folding.
- Positive mechanical case hold down keeps box in place for hands free case loading.
- Can be easily connected to any **BEL** case sealer.
- Attractive stainless steel covers and no painted surfaces aid in easy maintenance.
- Corrosion resistant construction

Machine Specifications

Air Requirements

- .01 CF/Cycle @ 80 PSI, (6 Bars)

Construction

- Welded, anodized aluminum frame.
- Attractive stainless steel covers.
- Stainless steel fasteners and adjustable leg extensions.
- All operating components fabricated from corrosion resistant materials for ease of cleaning and maintenance.

Speed

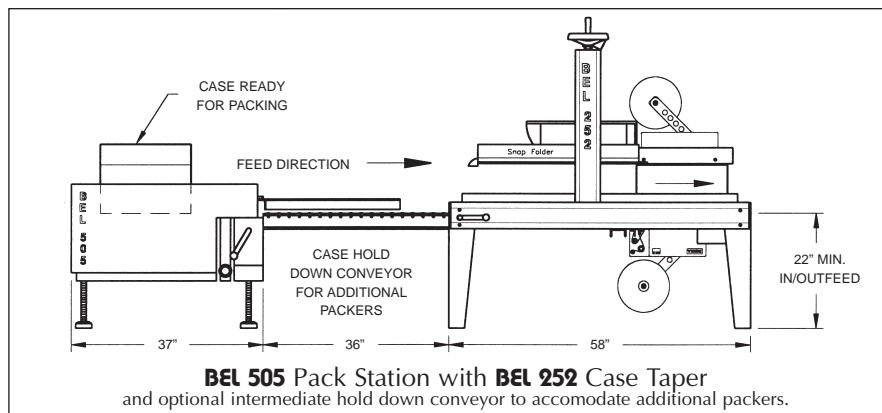
- Up to 15 cases per minute, depending on operator proficiency and products packed.

Shipping Weight

- 335 lbs. • Machine weight 240 lbs.

Case Size Range*		BEL 505
Length	min.	8" / 203 mm
	max.	26.5" / 672 mm
Width	min.	6" / 152 mm
	max.	16" / 406 mm
Height	min.	3 1/2" / 89 mm
	max.	no limit
Infeed/Outfeed Height		
Minimum	22" / 558 mm (with adjustable leg extensions)	
Maximum	28.5" / 723 mm	

* For other case size requirements consult factory or your local distributor. Specifications are subject to change without notice.



PackSmart, Inc.

1862 Suncast Lane - Batavia, IL 60510 - 630.262.6600 fax 630.761.3309
2325 Bluemound Rd., Suite F - Waukesha, WI 53186 - 262.717.0500 fax 262.717.9076
www.packsmart.com